

Fraport AG
Ground Services
Airfreight/Airmail Transport
60547 Frankfurt am Main
Germany

www.fraport-groundservices.com



Temperature-controlled transports

Professional transport
of temperature-sensitive shipments

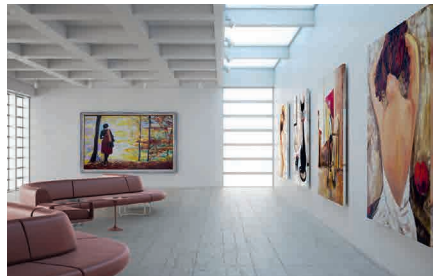


Temperature-controlled transports – safe, reliable and controlled

We offer the right infrastructure for temperature-controlled transports between handling agent and aircraft, and provide digital shipping documents for your temperature-sensitive freight (e.g. medicines).



Pharmaceuticals



Art



Animals



Astronomical Mirrors

Fraport temperature-controlled transports services

Ordering, transportation, and storage

- Web ordering (electronic ordering process)
- Delivery of goods to the handling agent possible within the first hour after on-block
- Temperature-controlled transport of pharmaceuticals, animals, art, mirrors and much more
- Safe and temperature-controlled storage on the apron
- Safety assured by defined emergency procedures and technical warning system
- Central point of contact (24/7)
- Customizable billing models

Cleaning

- Cleaning after every shipment
- Required disinfection and filter change
- Monthly basic cleaning, disinfection and filter change
- Disinfectants: Wofasteril E400 / Alcapur E1

Documentation

- Documentation of orders and status reports
- Documentation of servicing, cleaning, disinfection and filter changes





Safe transport for your temperature-sensitive shipments

Equipment

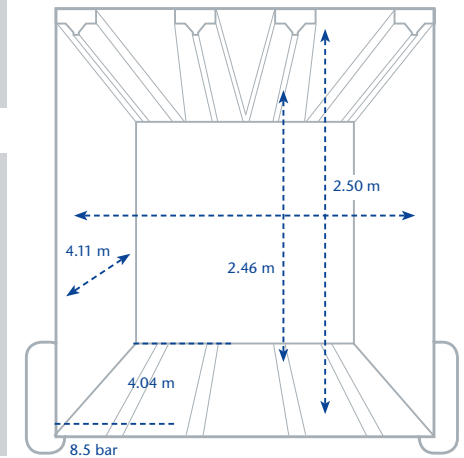
- Temperature cooling and heating from -30°C to $+30^{\circ}\text{C}$ (air-conditioning technology from the market leader Carrier)
- Fresh air filtration
- Controllable cargo-hold air circulation
- Inspection hatches on doors
- Pneumatic tires and air suspension
- Height-adjustable loading sill (min. height 45 cm / max. height 61 cm)
- Temperature monitoring using SMS alerts and visual and acoustic alarms for deviations of $\pm 3^{\circ}\text{C}$ -Temperature

Dimensions, weight and load

External dimensions

Height: 3.36 m during operation
 Width: 3.41 m
 Length: 8.76 m with drawbar trailer

Internal dimensions



Weight and load

Weight: 4,950 kg
 Maximum load: 5,000 kg

Suitable for all standard ULD:
 2 x 5 ft ULD
 1 x 10 ft ULD / pallet

Trailers for horse transports on the apron

- Daylight window (opens partially)
- Interior LED lighting
- Controllable ventilation system
- Pneumatic tires and air suspension
- Sound and weather insulated
- Height-adjustable loading sill
- Suitable for all standard ULD for equine transports (e.g. AMH)
- Two seats for accompanying persons
- Emergency exit for accompanying persons
- Alarm button

Your Contacts

Thorsten Kraus

Senior Manager Cargo and Mail Transport
Phone: +49 69 690 70119
Fax: +49 69 690 495 70179
Mobile: +49 173 6998909
E-mail: t.kraus@fraport.de

Stefan Reiss

Manager Operations Cargo and Mail
Phone: +49 69 690 70904
Fax: +49 69 690 495 70904
Mobile: +49 173 6998760
E-mail: s.reiss@fraport.de

